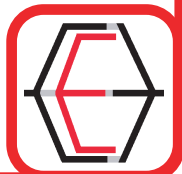




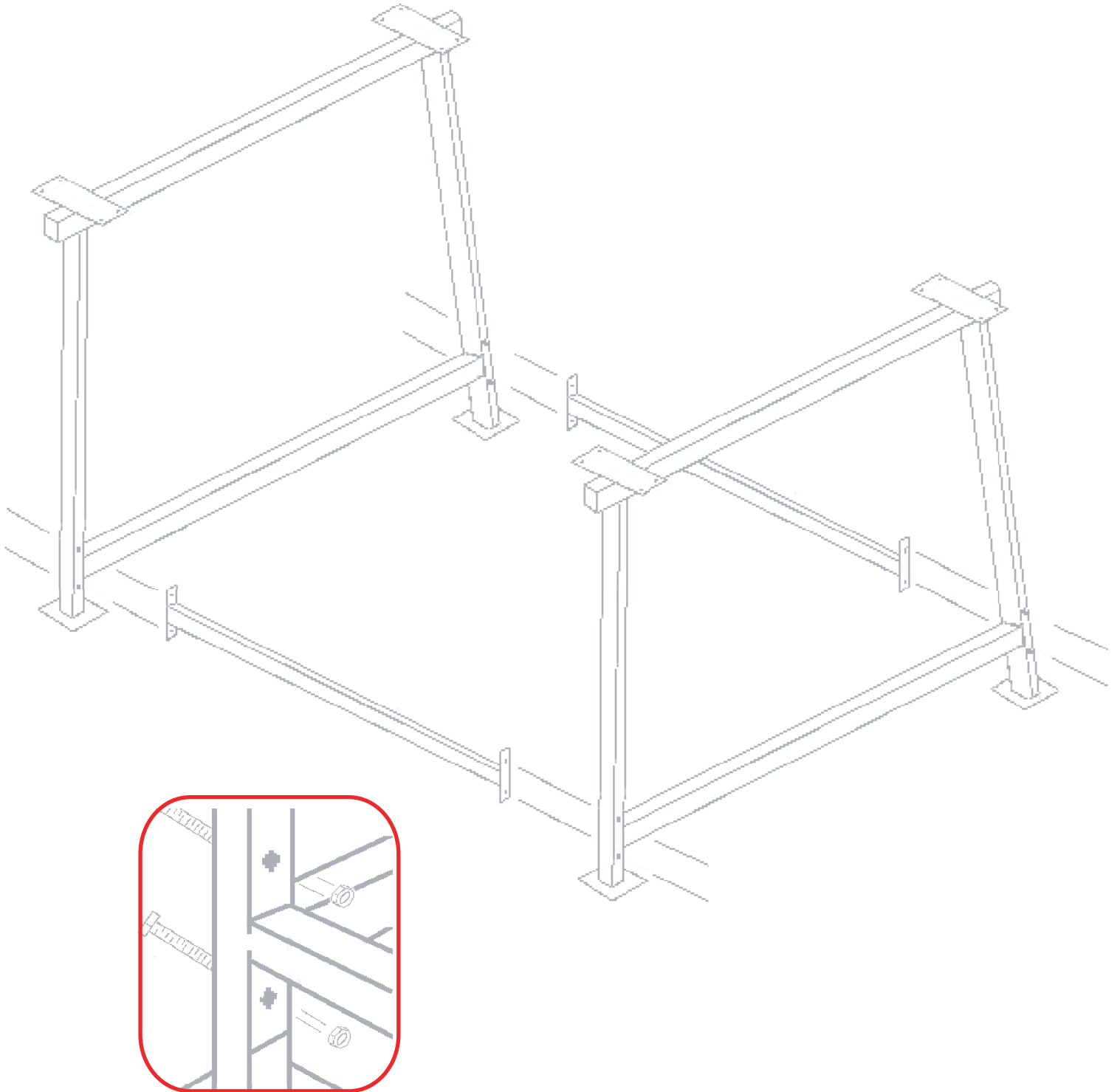
# Canadian Enviro-Tub

## Enviro-Tub 7 Foot Stand Assembly Instructions





# Canadian Enviro-Tub

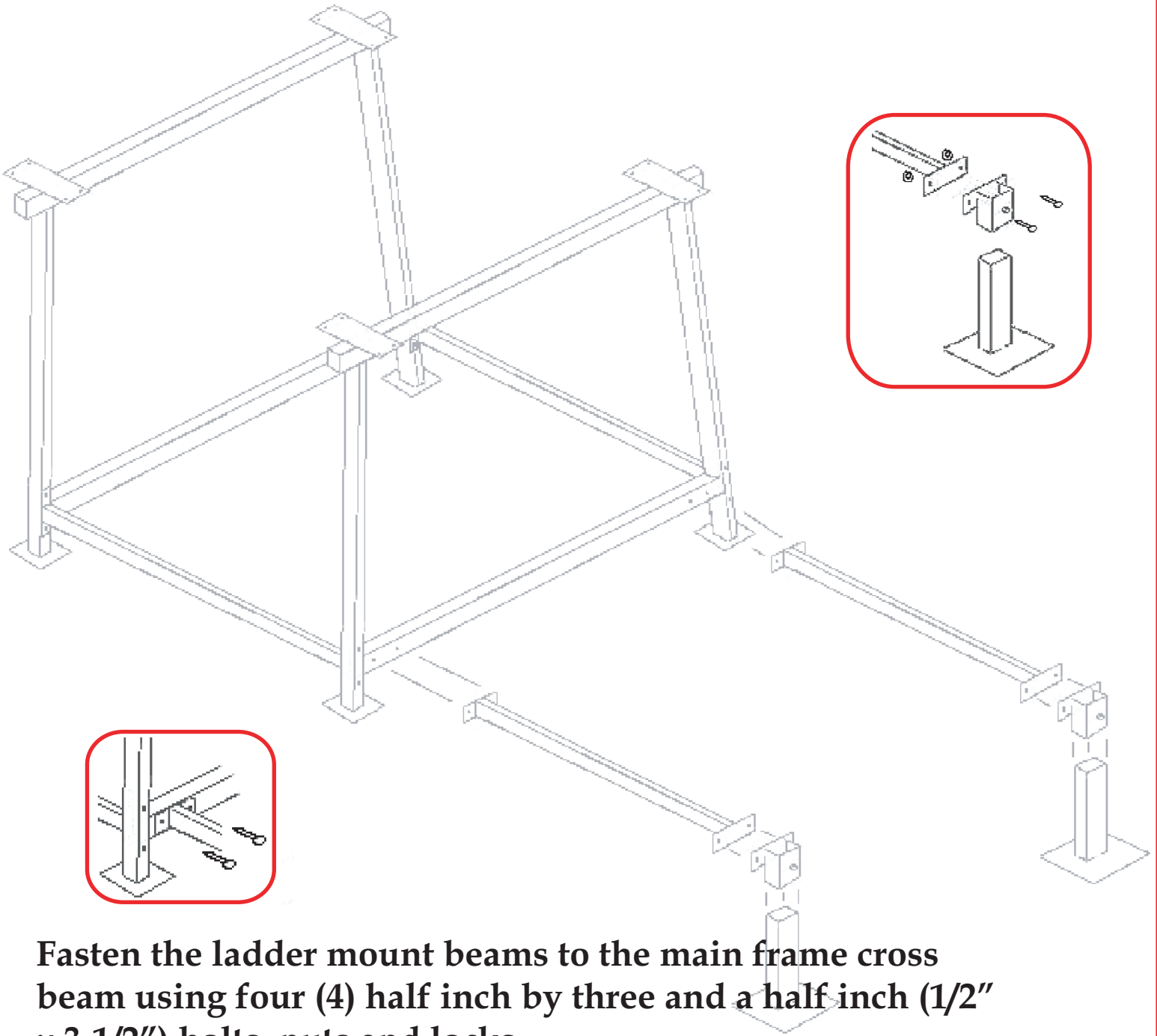


Fasten the two inch (2") cross-members to the seven foot (7') main frames using eight (8) half inch by three and a half inch (1/2" x 3-1/2") bolts, nuts, and locks.

1



# Canadian Enviro-Tub



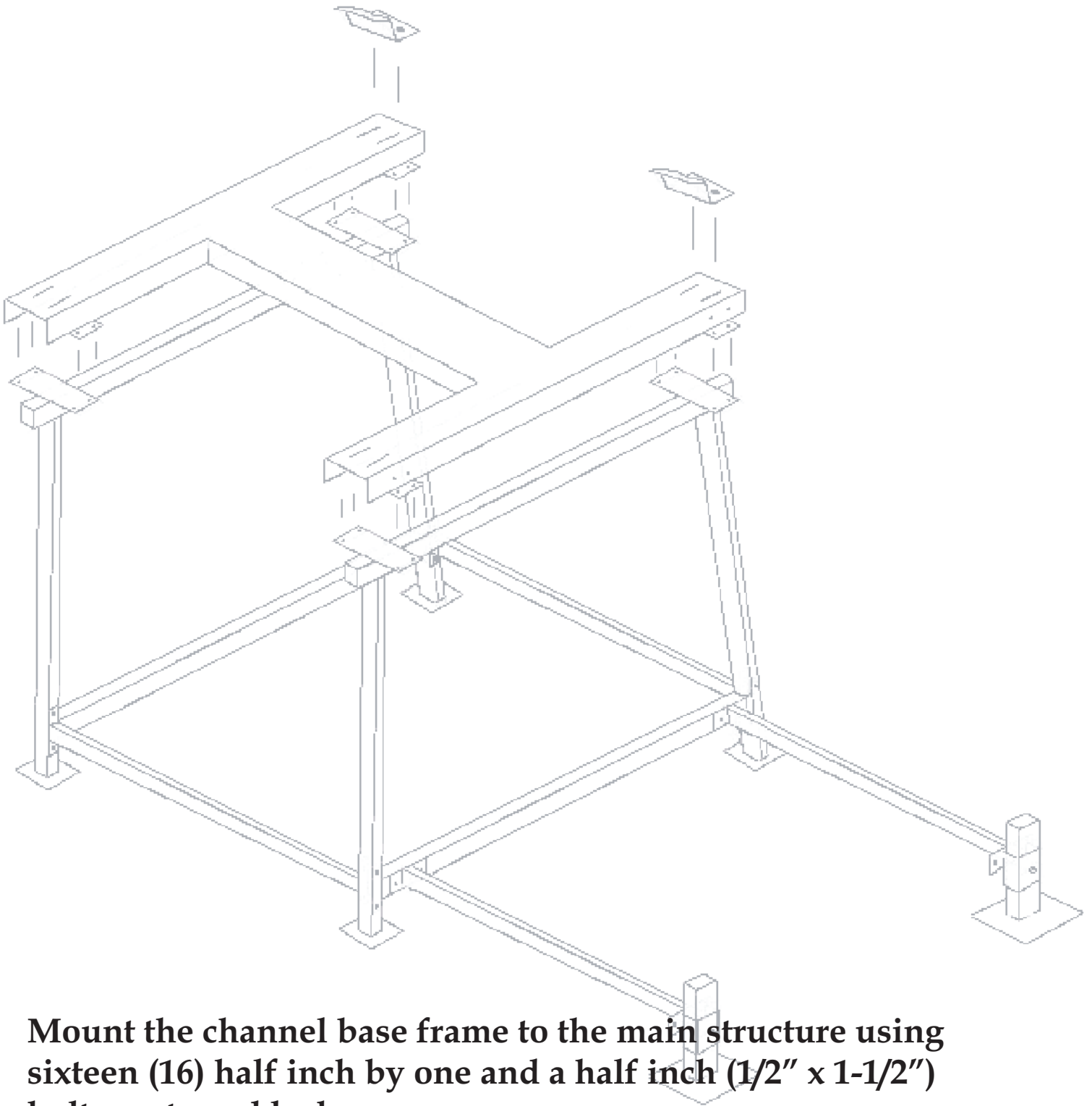
Fasten the ladder mount beams to the main frame cross beam using four (4) half inch by three and a half inch ( $1/2'' \times 3-1/2''$ ) bolts, nuts and locks.

Fasten the stabilizer leg mounts to the ladder mount beams using half inch by one and a half inch ( $1/2'' \times 1-1/2''$ ) bolts, nuts and locks.

Insert the stabilizer legs into the stabilizer leg mounts and level.



# Canadian Enviro-Tub

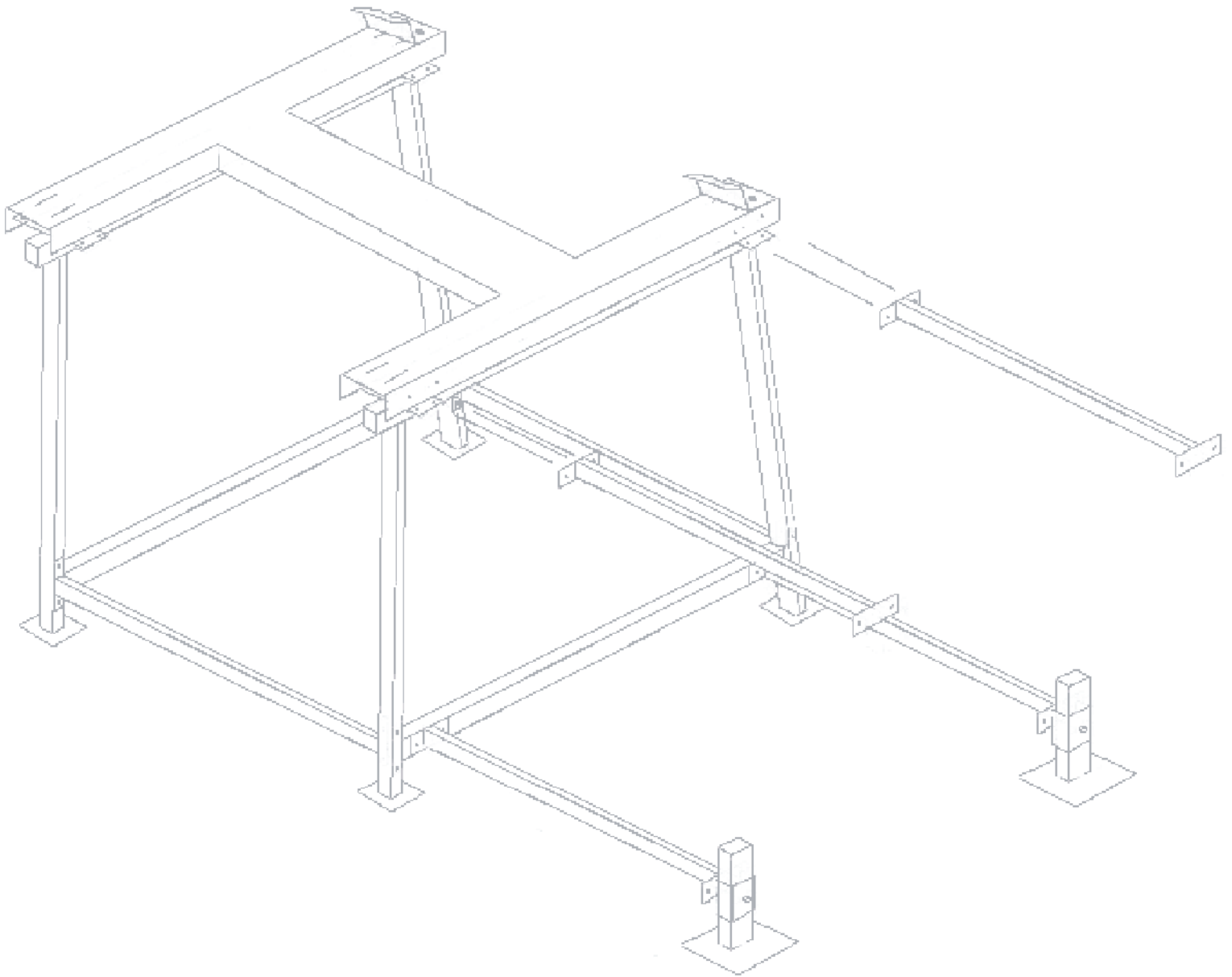


**Mount the channel base frame to the main structure using sixteen (16) half inch by one and a half inch ( $1/2'' \times 1-1/2''$ ) bolts, nuts and locks.**

**Fasten two (2) of the tub hold down clamps to the channel base frame using four (4) half inch by one and a half inch ( $1/2'' \times 1-1/2''$ ) bolts, nuts and locks.**



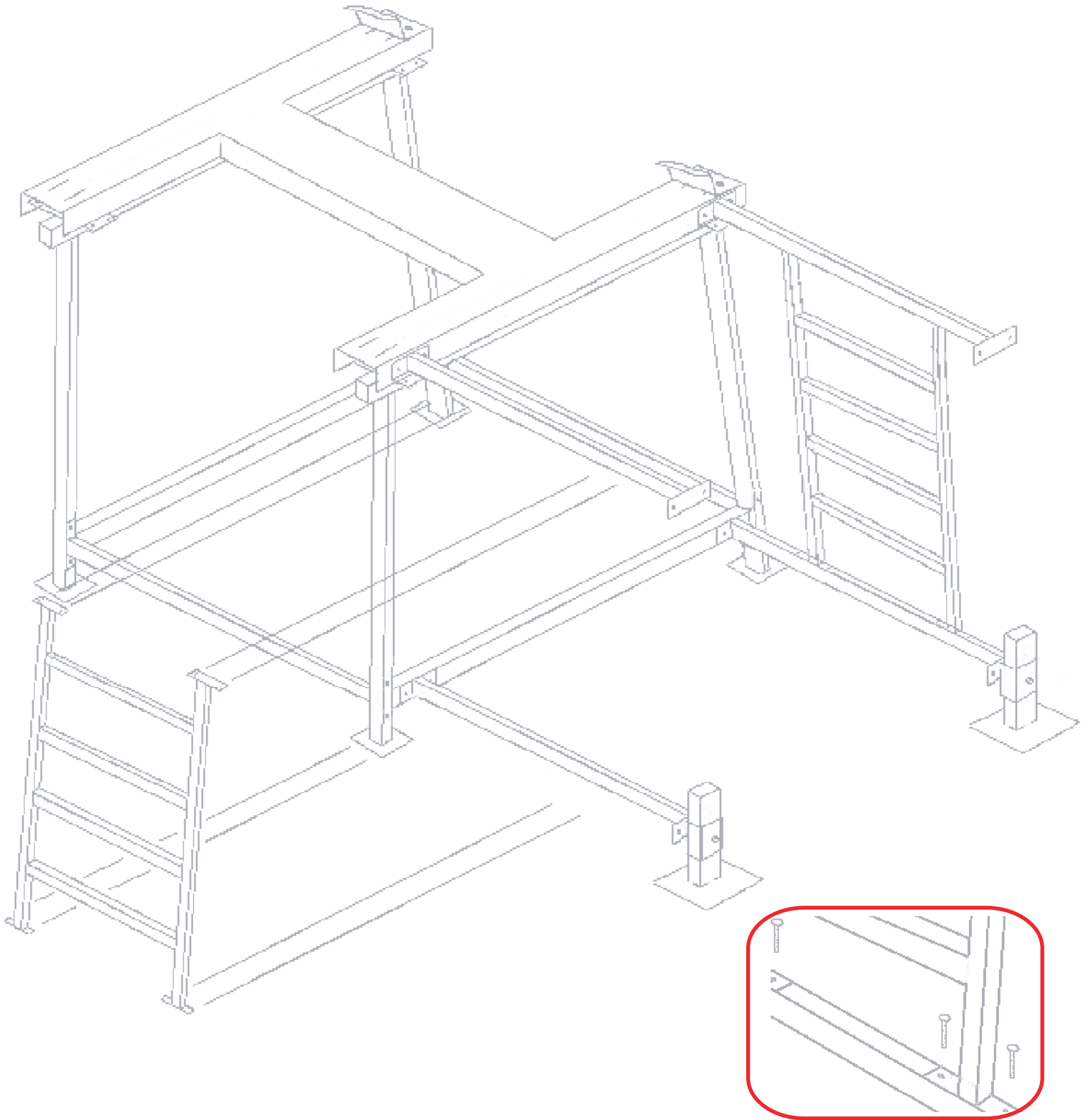
# Canadian Enviro-Tub



Fasten the intermediate ladder beams to the channel frame using four (4) half inch by one and a half inch ( $1/2'' \times 1-1/2''$ ) bolts, nuts and locks.



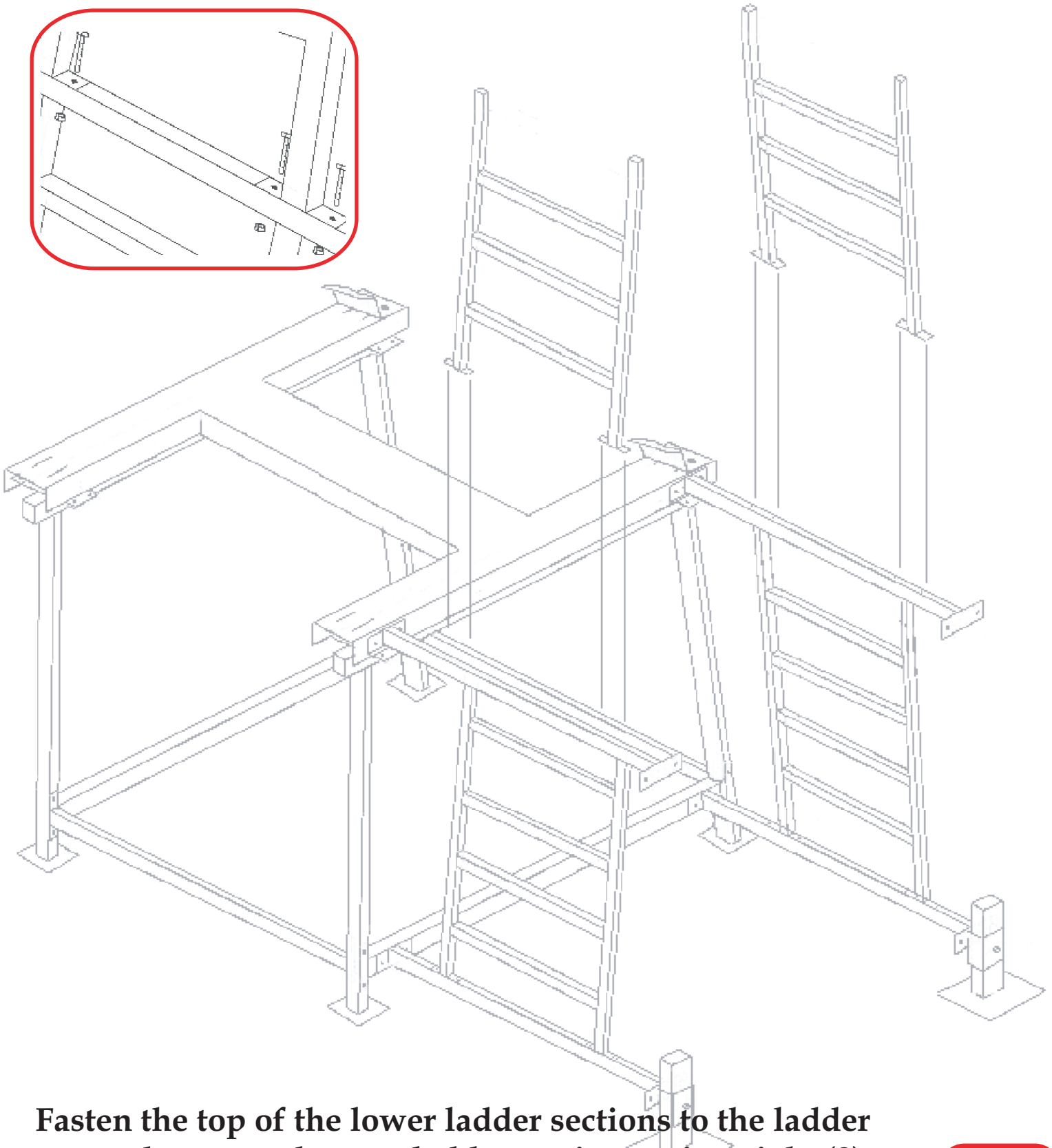
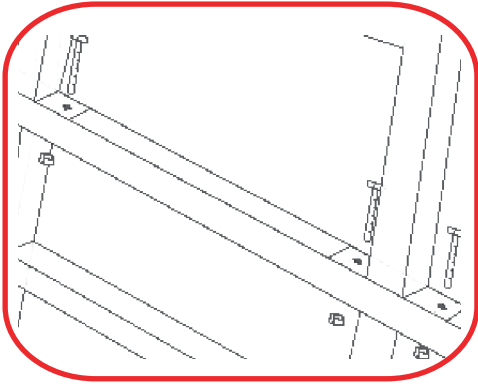
# Canadian Enviro-Tub



Fasten the bottom of the lower ladder sections to the ladder mount beams using eight (8) three-eighths of an inch by two and a half inch ( $3/8'' \times 2-1/2''$ ) bolts, nuts and locks.



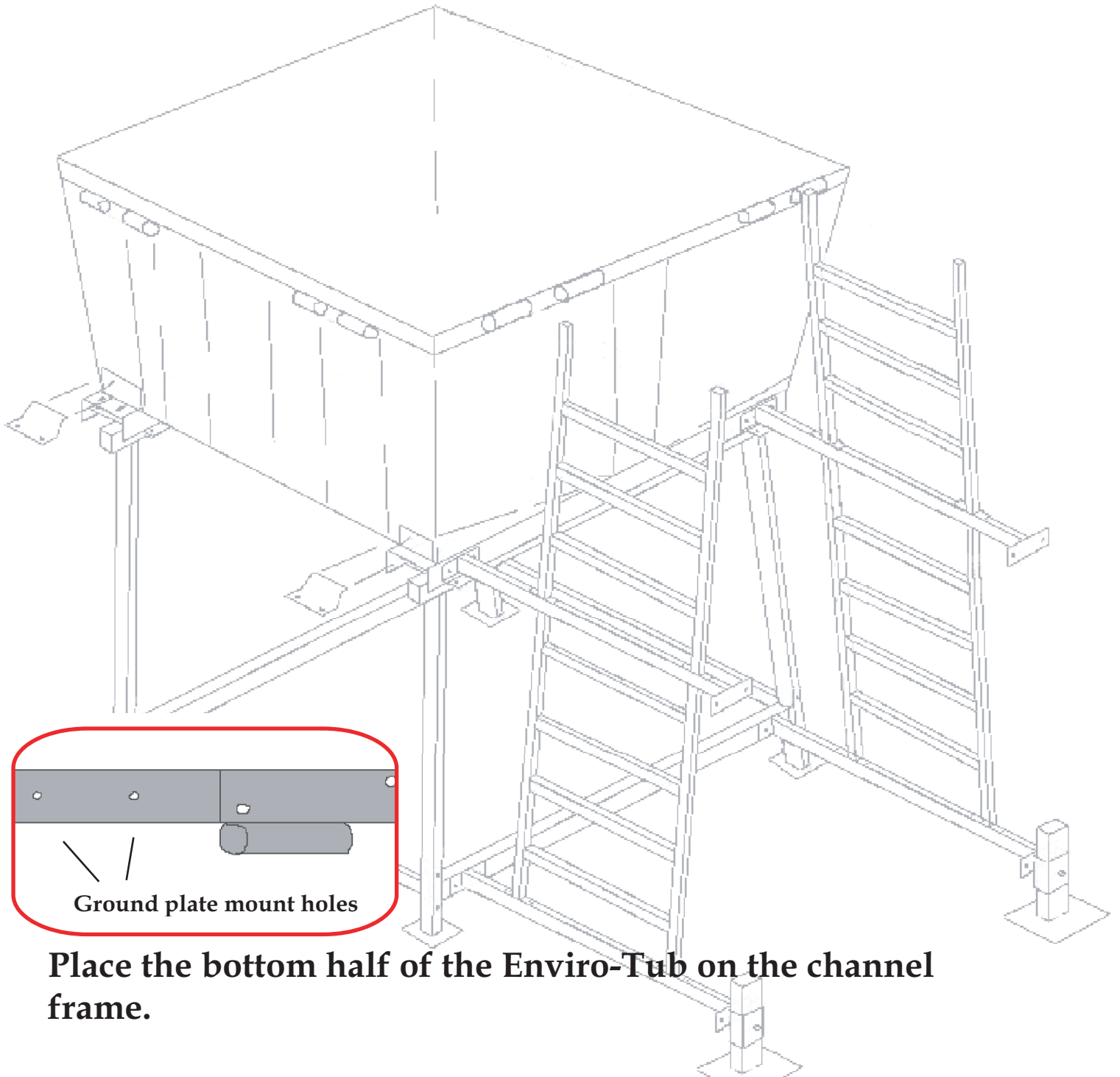
# Canadian Enviro-Tub



Fasten the top of the lower ladder sections to the ladder mount beams and upper ladder sections using eight (8) three-eighths of an inch by three inch ( $3/8'' \times 3''$ ) bolts, nuts and locks.



# Canadian Enviro-Tub



**Place the bottom half of the Enviro-Tub on the channel frame.**

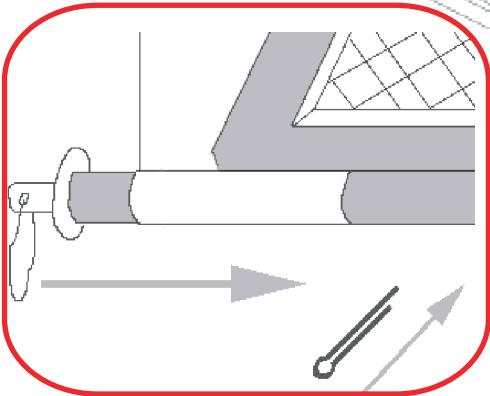
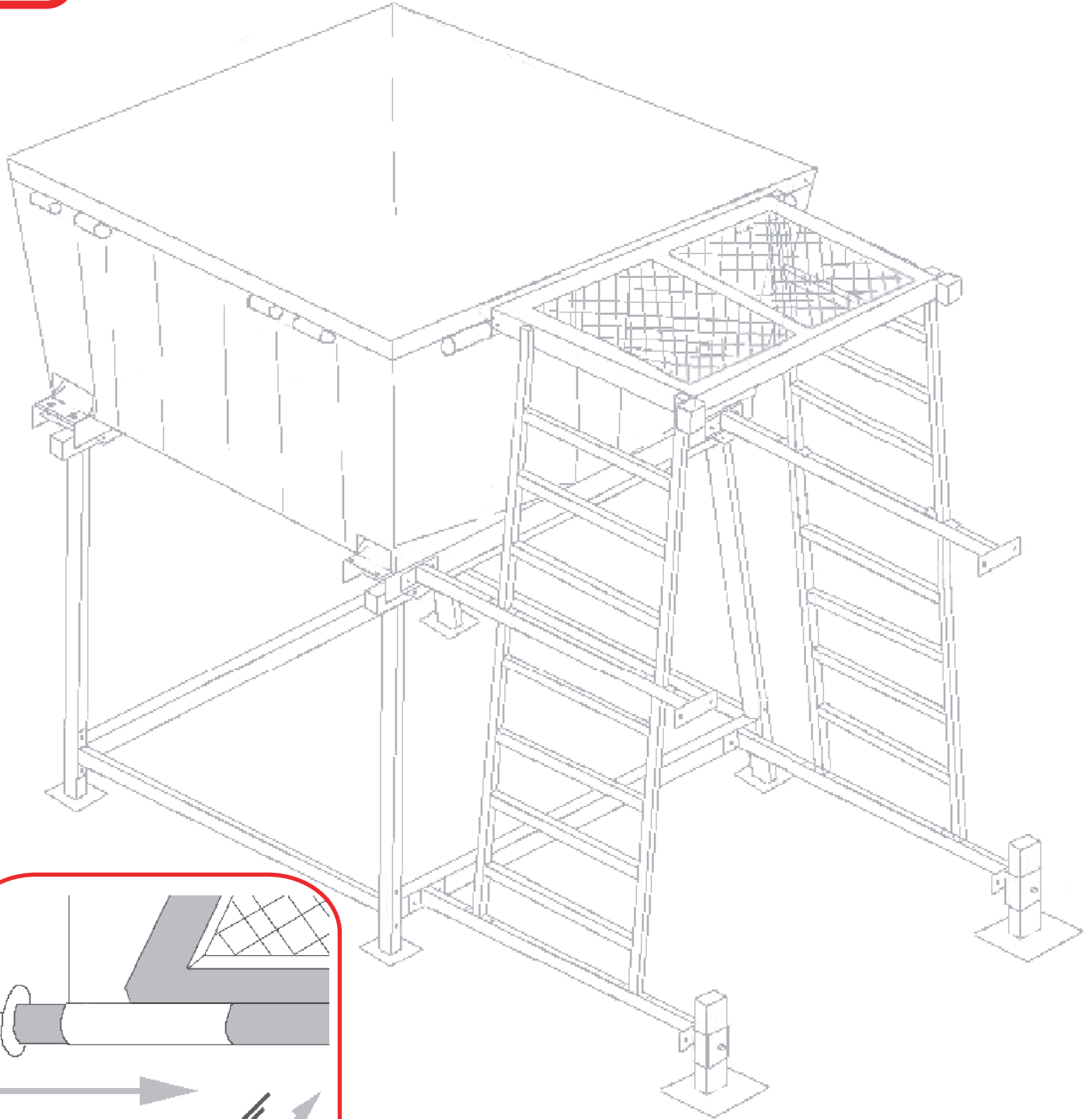
**Insert the other two tub hold down clamps using four (4) half inch by one and a half inch (1/2" x 1-1/2") bolts, nuts and locks.**

**Tighten all eight (8) tub hold clamps to secure the bottom.**





# Canadian Enviro-Tub

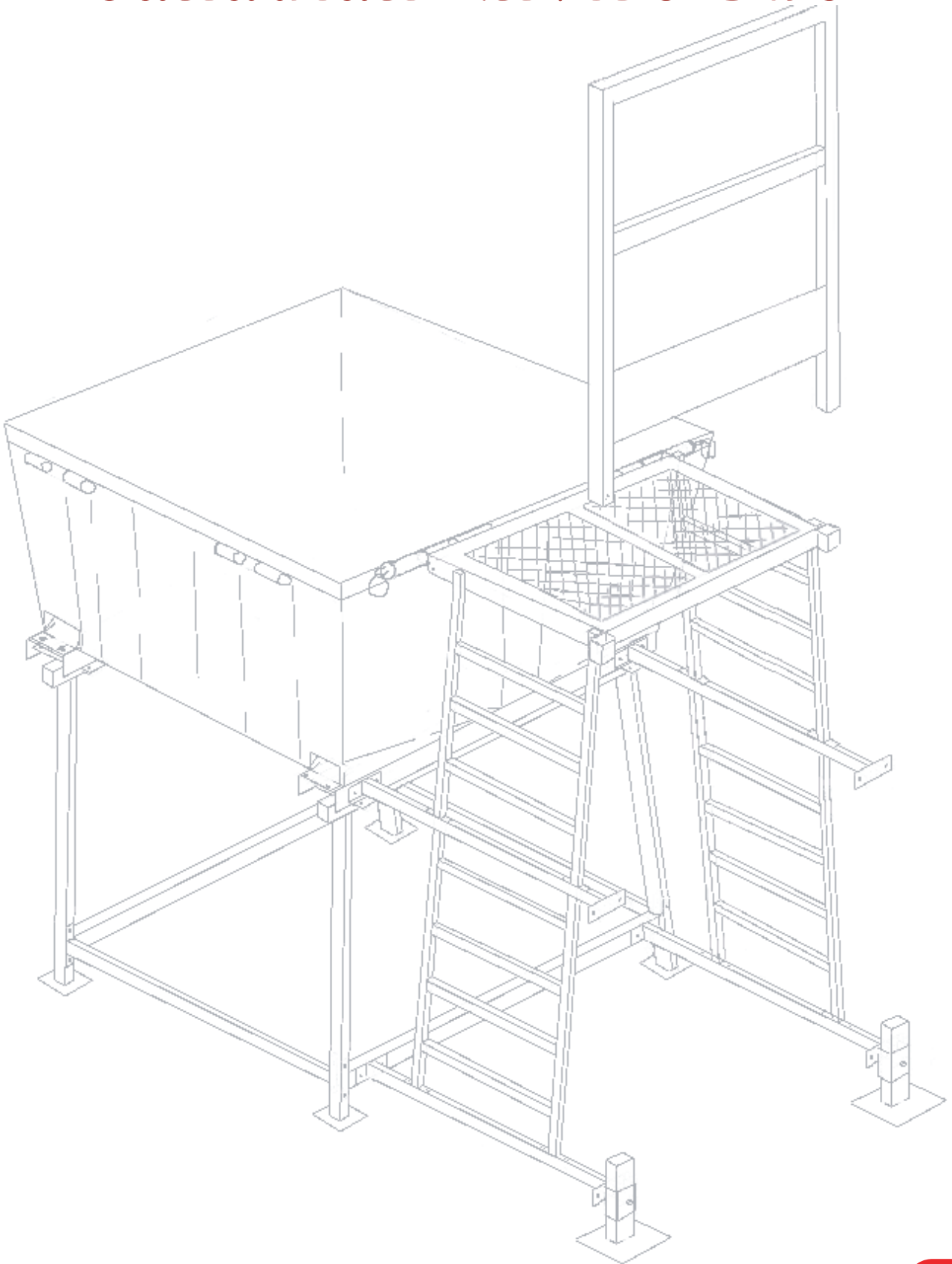


Insert the plate form hinge pins to secure platform to the Enviro-Tub. Making sure to insert the safety pins.

Attach front of the platform to the upper ladders using four (4) three-eighths inch by two inch ( $3/8'' \times 2''$ ) bolts, nuts and locks.



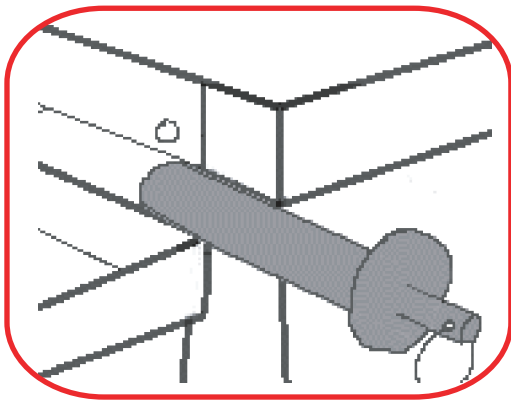
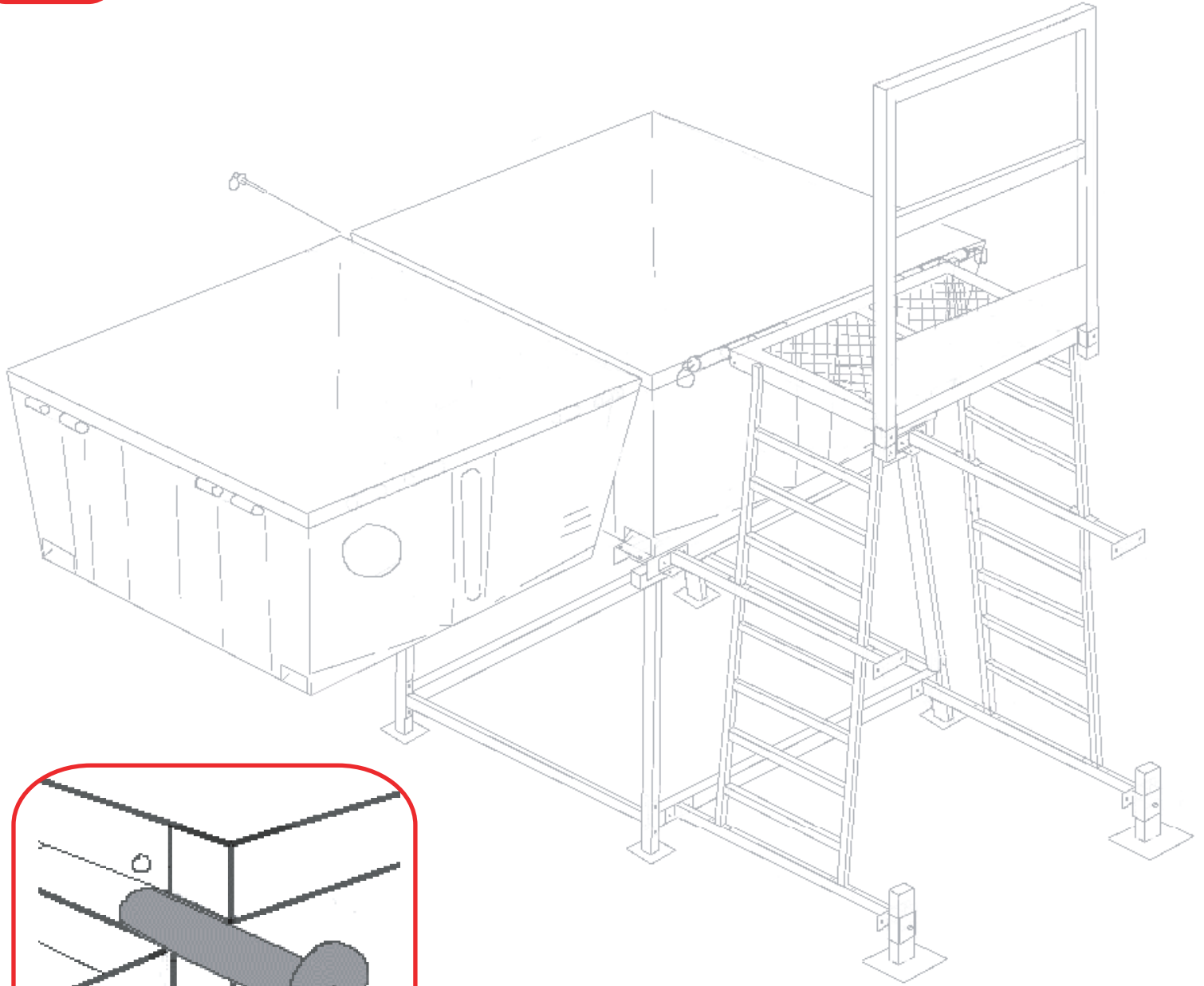
# Canadian Enviro-Tub



Insert the handrail into the platform handrail mount pockets and secure using two (2) safety pins.



# Canadian Enviro-Tub

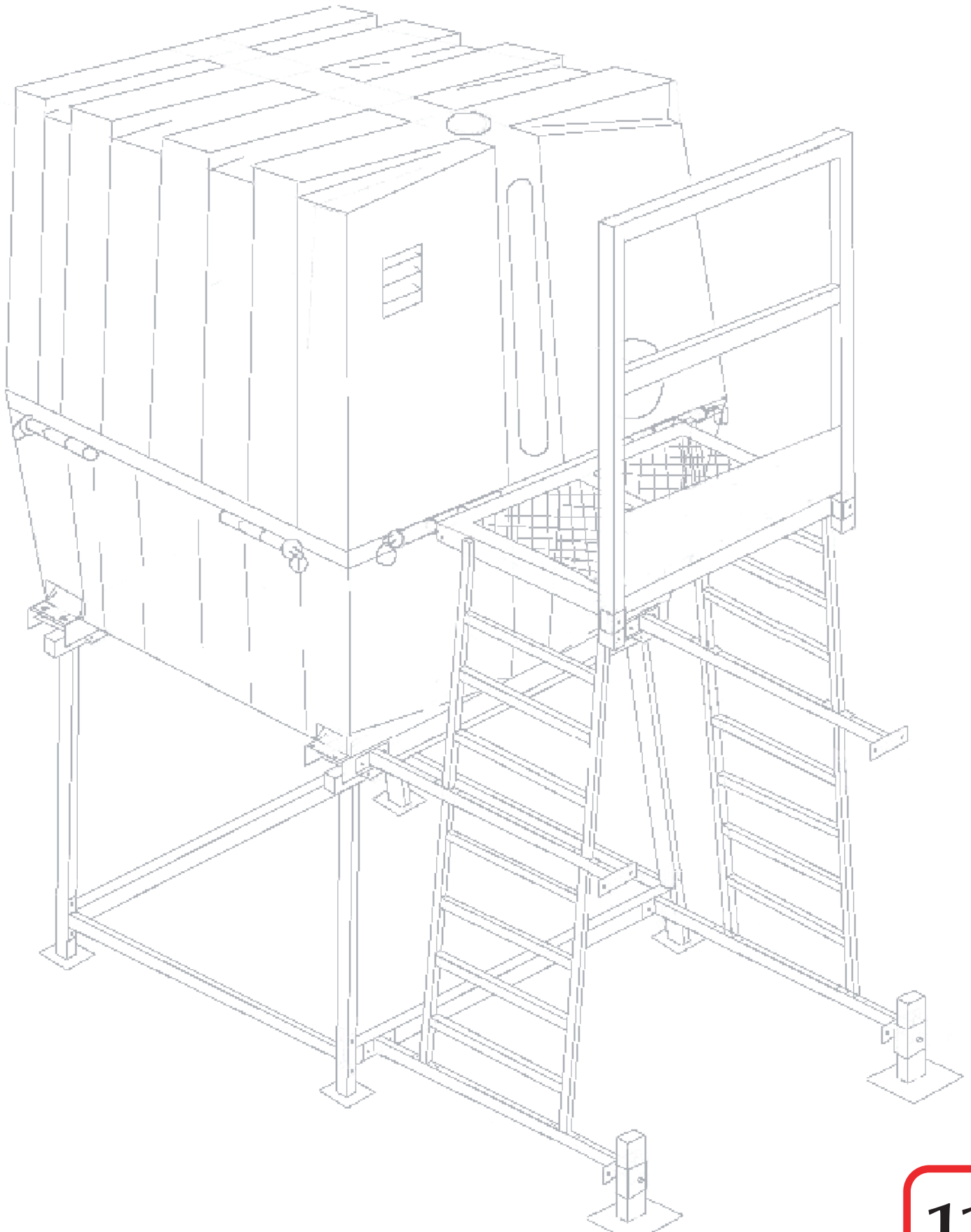


**Connect the upper tub section to the lower tub section using two (2) hinge pins.**

**Make sure to insert the safety pins after securing the tub top.**



# Canadian Enviro-Tub



Close the tub lid and insert the remaining two (2) hinge pins.

11